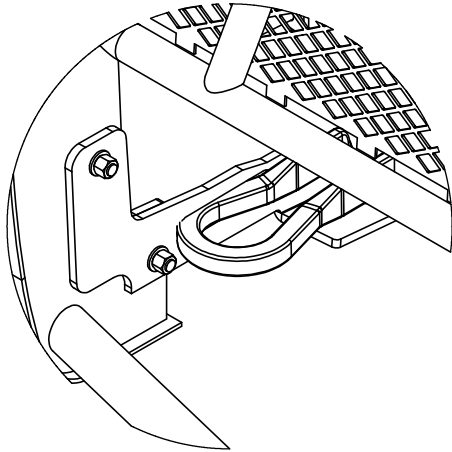
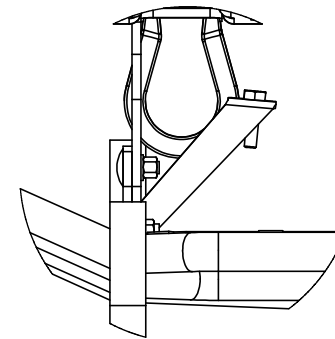
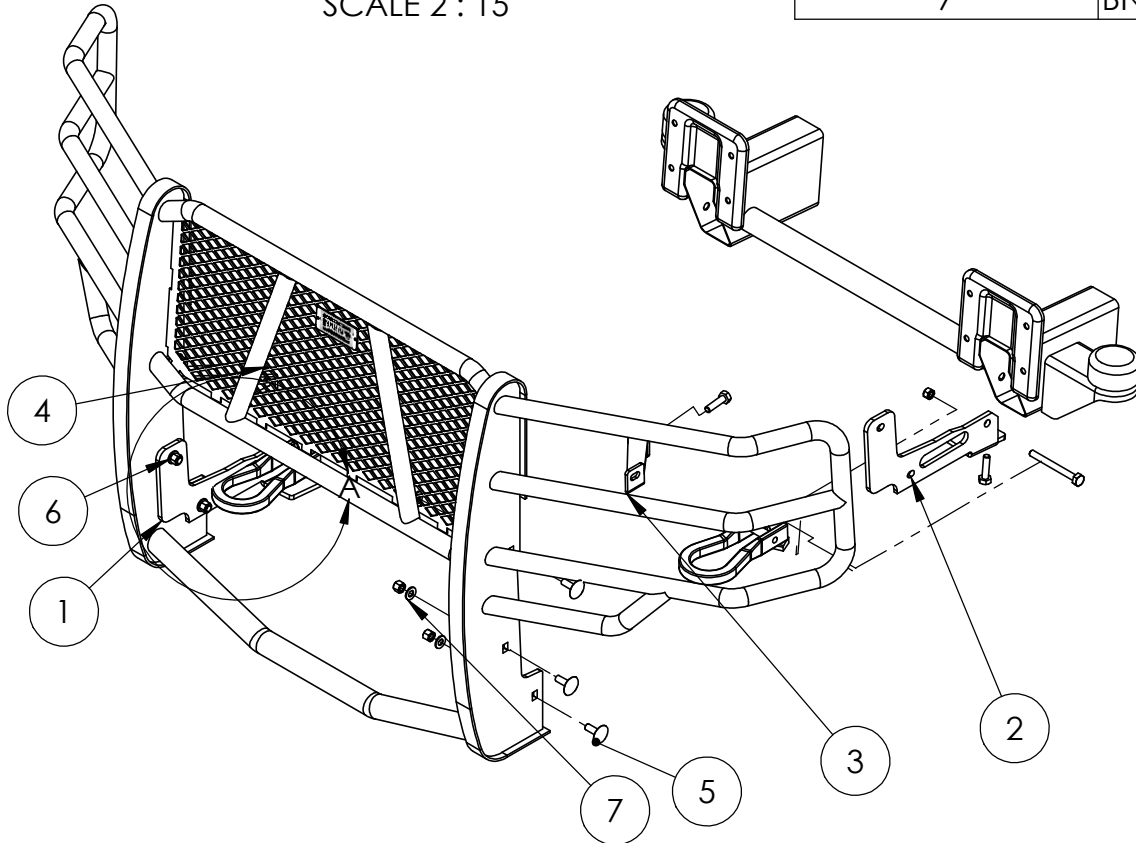


GGC151BL1 / GGC151BLS PBC151BL1 / PBC151BLS

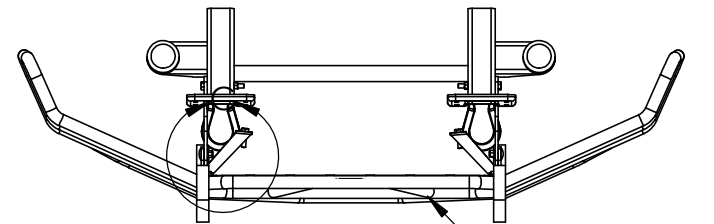
ITEM NO.	PART NUMBER	DESCRIPTION	QTY.
1	GGC151MBPBL	MOUNTING BRACKET PASSENGER	1
2	GGC151MBDBL	MOUNTING BRACKET DRIVER	1
3	GGC151TMBDBL	TOP MOUNTING BRACKET DRIVER	1
4	GGC151TMBPBL	TOP MOUNTING BRACKET PASSENGER	1
5	BO-568	BLK. CARRIAGE BOLT 1/2" - 13 X 1 1/2"	6
6	BN-143	BLK. LOCK NUT 1/2" - 13	6
7	BN-169	BLK. FLAT WASHER 1/2"	6



DETAIL A
SCALE 2 : 15



DETAIL B
SCALE 1 :
SCALE 1 : 8



TOP VIEW