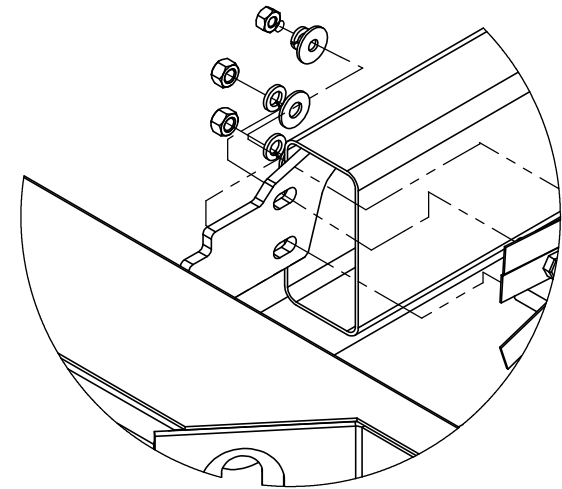
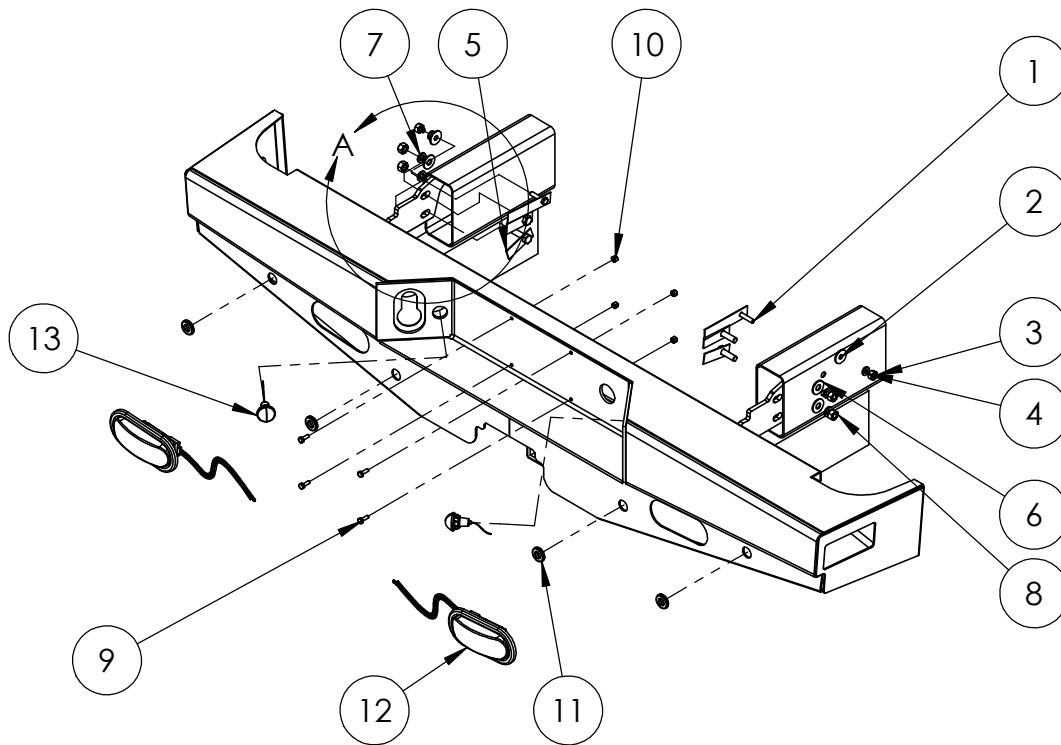


SBC151BLSL

ITEM NO.	PART NUMBER	DESCRIPTION	QTY.
1	SBC151T	TAB 1" X 5" BOLT 3/8"-1.5"	2
2	BN-153	FLAT WASHER 3/8"	2
3	BH-18	LOCK WASHER 3/8"	2
4	BN-125	HEX NUT 3/8"	2
5	STD941HHBT	TAB 1"X3" BOLT 1/2"X1.5"	4
6	BH-154	FLAT WASHER 1/2"	4
7	BH-17	LOCK WASHER 1/2"	4
8	BN-29	HEX NUT 1/2"-13	4
9	BO-562	ROUND HEAD BOLT 1/4"-20-3/4"	4
10	BN-36	HEX NUT 1/4"-20	4
11	RGROMMET 1" X .8125	RUBBER GROMMET	4
12	LTU-NA1CLO	CLEAR OVAL LIGHT	2
13	LTU-NALCLR	LICENSE PLATE LIGHT	2
14	BN-225	FLANGE NUT M14 X 2	2



DETAIL A
SCALE 1 : 6