



## INSTALLATION INSTRUCTIONS

### **PART# BFERG15HDR**

FRONT END REPLACEMENT: GMC 2500HD/3500HD: 2015-UP

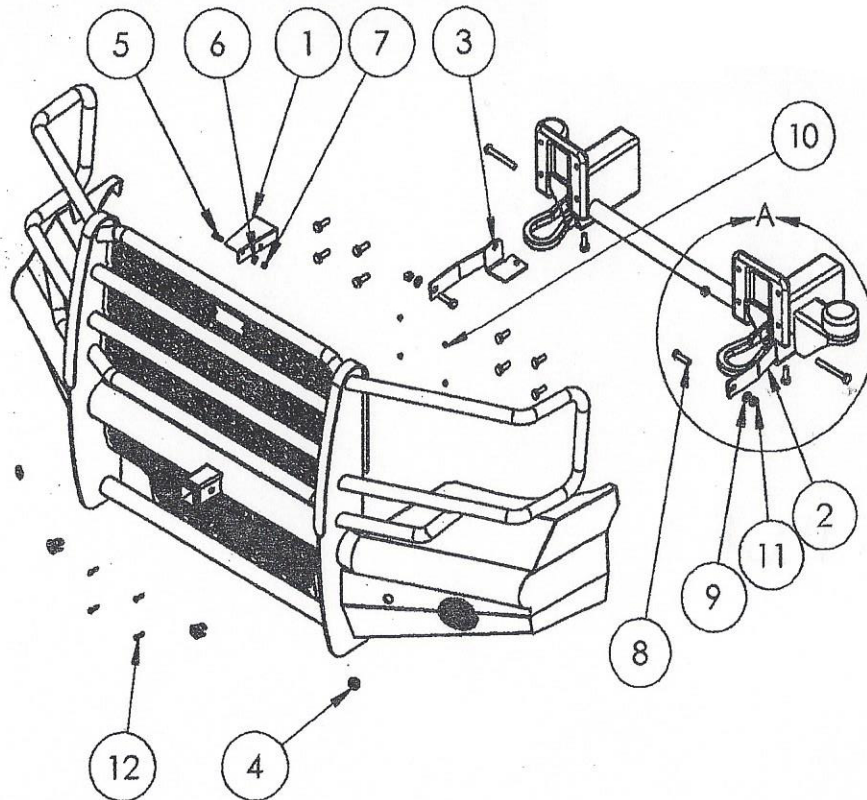
NOTE: You will have to cut off a portion of the inner fender well.

1. Open the hood and remove the plastic radiator cover. There will be (12) plastic clips.
2. Remove the (4) 10mm bolts holding the grille in place. Carefully pry grille away from its position (10) snap clips.
3. Remove the factory side brackets. There will be (3) 15mm bolts on each side.
4. Remove the factory bumper by removing the (2) 18mm bolts from each side of the frame. They will be facing down.
5. Lay the bumper down, then remove the sensor and fog light wire if present from the bumper. You will have to remove the (2) large black bumper support plates to remove sensors. Do not unhook sensor plug.
6. Reinstall the factory grille and plastic radiator cover.
7. Remove the (2) black bumper mounting plates by removing the (4) 15mm bolts. The bolts will be used to install the Roughneck HD front end replacement.
8. Remove the side and bottom tow hook bolts. Mount the support brackets to the outer side of the frame rails. Reinstall factory bolts.
9. Install splash guard by removing (1) 10mm bolt. Place a  $\frac{5}{16}$ " flat washer between the truck body and the splash guard. Reinstall factory bolt and use  $\frac{5}{16}$ " bolt in the other hole.
10. For sensors, remove the outer sensor brackets from the factory bumper. Install them into the bottom insert of the front end.
11. If fog lights are present, mount them to the fog light brackets provided and then to the front end.
12. Mount the front end to the frame by reusing the 15mm factory bolts. Level the front end and then tighten bolts. Use the  $\frac{1}{2}$ " bolts to mount the front end to the support brackets.
13. Mount the license plate using  $\frac{1}{4}$ " bolts to the bottom grille insert.
14. Hook up the sensor and fog light wires. You can run them through the square opening in the mounting brackets just below the top plate. Adjust the lights and sensors if needed.

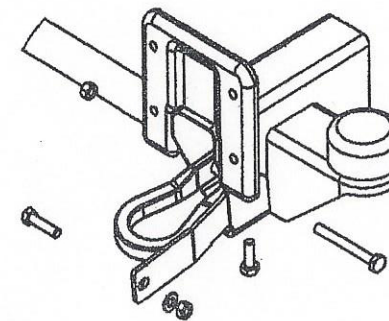
***MAKE SURE ALL NUTS AND BOLTS ARE TIGHT!***

Special care should be exercised in the handling, storage and installation of Roughneck HD equipment. The actual weight of each piece of equipment will vary depending on style and model. The weight of the equipment is sufficient in volume to warrant special care, assistance and in some instances the use of mechanical equipment during the transfer and installation of the equipment. Do not assume a position directly under the equipment during installation. Be sure the equipment has been connected and stabilized during installation to prevent falling or shifting of positions. Periodically check tightness of bolts to make sure they are tight and unlikely to fail.

# BFERG15HDR



PART #	DESCRIPTION	QUANTITY
1	SPLASH GUARD	1
2	SUPPORT BRACKET DRIVER	1
3	SUPPORT BRACKET DRIVER	1
4	RUBBER GROMMET	4
5	HEX HEAD BOLT 5/16 - 18 X 1"	1
6	FLAT WASHER 5/16"	4
7	HEX NUT 5/16" - 18	1
8	HEX HEAD BOLT 1/2" - 13 X 2"	2
9	FLAT WASHER 1/2"	4
10	KEP NUT 1/4" - 20	4
11	LOCK NUT 1/2" - 13	2
12	HEX HEAD BOLT 1/4" 20 X 1"	4
13	BUTTON PLUG	4



DETAIL A  
SCALE 1 : 10